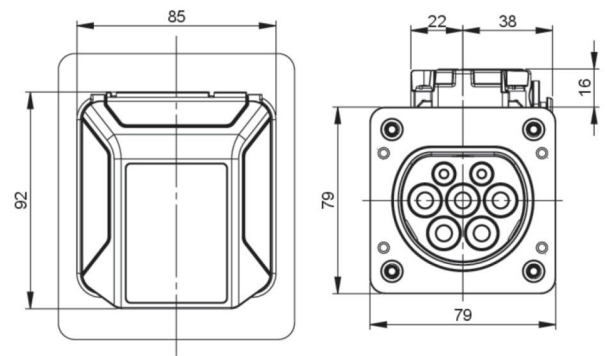


|                        |   |
|------------------------|---|
| article#               | <b>e325-f</b>   |
| article description    | <b>eMobility Charging socket outlet Type 2 (front panel mounting) IP44/54</b>   |
| description long       | Infrastructure surface-mounted flange socket Type2 for charging electric vehicles (EV) with alternating current (AC) consisting of:<br>surface mounted socket type2 (AC 32A), contacts:<br>screw connection, brass nickel-plated<br>locking actuator (DC 9-16V)<br>frame with self-closing hinged lid<br>intermediate flange (front panel mounting)<br>flange gasket<br>mounting screws<br>according to IEC/EN 62196, approval: ÖVE and VDE<br>Protection rating: IP44/54 |
| GTIN (EAN)             | 9003399536984   |
| country of origin      | AT  |
| customs number         | 85366990  |
| net weight             | 0.400 kg  |
| packaging quantity     | 1   |
| minimum order quantity | 1   |



|                                     |                         |
|-------------------------------------|-------------------------|
| ETIM 9.0                            | EC002898                |
| Model                               | Charging socket outlet  |
| Standard                            | Type 2                  |
| Connection system                   | Screw connection        |
| With interlocking actuator          | True                    |
| With access interlocking            | False                   |
| Degree of protection (IP)           | Other                   |
| Width                               | 85 mm                   |
| Height                              | 92 mm                   |
| Depth                               | 90 mm                   |
| Nominal voltage                     | 480 V                   |
| Max. nominal current                | 32 A                    |
| Type of current                     | AC 3-phase              |
| Number of communication contacts    | 2                       |
| Cross section of the power contacts | 2.5 – 6 mm <sup>2</sup> |
| Contact material                    | CuZn                    |
| Surface treatment contacts          | Nickel-plated           |



|                  |  |
|------------------|--|
| wire flexible    | 2,5-6 mm <sup>2</sup>                  |
| contact screws   | 120 (L1-L3,N,PE) / 80 (CP,PP) Ncm      |
| stripping length | 15 (PE) / 12 (L1-L3,N) / 10 (CP,PP) mm |







<https://www.pcelectric.at/shop/en/?func=detail&artnr=e325-f>