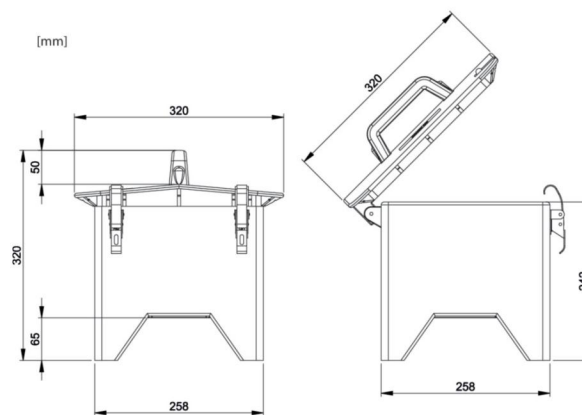


article#	94741545
article description	Distribution box rubber mobile SPITZ BV 2x32/5 2m5G16St63/5 MID H07 Ea black
description long	mobile solid rubber distribution box model SPITZ IP54 320x320x320 2m cable H07RN-F 5G16mm2 black with plug 63A 5p 400V black 2xCEE-sockets 32A 5p 400V black fused with 2xMCB 32A 3p C 1xRCD 63A/4/0.03A (TYPE A 63AT) over all outlets MCB and RCD made by Eaton ÖVE / VDE distribution box is ready wired for using
GTIN (EAN)	9003399973680
country of origin	AT
customs number	85371098
net weight	11.000 kg
packaging quantity	1

ETIM 9.0	EC000379
CEE socket outlet 32 A	2x32A5p400V
Protection	Overcurrent switch
Leakage current type	A
Earth leakage switch	Earth leakage switch with IFN 30 mA (standard)
Number of miniature circuit breakers	2
Material housing	Rubber
Contact material	CuZn
Surface treatment contacts	Nickel-plated
Power supply/connection possibility	Feeder cable with plug
Number of poles mains connection	5
Diameter cable entry	M40
Type of mains connection	CEE 63 A
Cable length	2 m
Handling	Portable
Degree of protection (IP)	IP54
Colour	Black
Height	320 mm
Width	320 mm
Depth	320 mm



<https://www.pcelectric.at/shop/en/?func=detail&artnr=94741545>