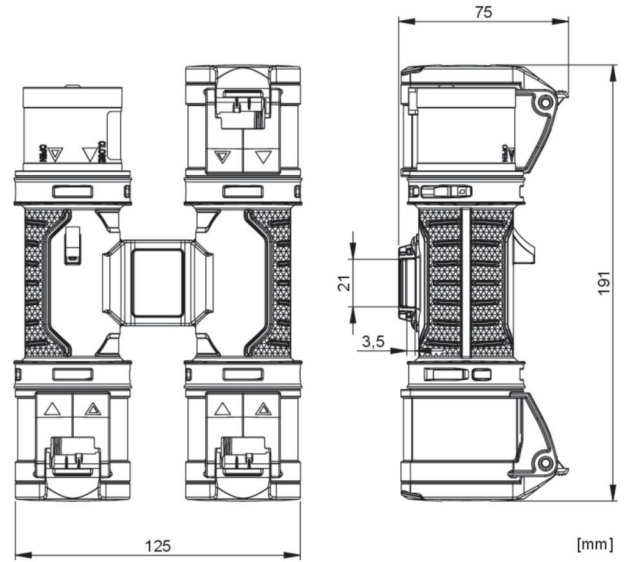


article#	94327000
article description	CEE 3-way connector 16A 3p 6h with plug IP44 (H-Connect) black
description long	CEE 3-way connector 16A 3p 6h with plug IP44 (H-Connect) housing material: ABS, color: black rated current: 16A number of poles: 3 (2P+PE) clock-position: 6h rated voltage/frequency: 200-250V~ / 50+60Hz contacts: brass nickel plated Entry: 1x CEE-plug 16A 3p 6h Outlet: 3x CEE-socket 16A 3p 6h ready wired IP protection class: IP44 (horizontal position of use) incl. holder to mount on tubes with velcro strap (velcro strap not included!)
GTIN (EAN)	9003399526992
country of origin	AT
customs number	85366990
net weight	0.473 kg
packaging quantity	5
minimum order quantity	5

ETIM 9.0	EC000379
CEE socket outlet 16 A	3x16A3p230V
Protection	None
Material housing	Plastic
Contact material	CuZn
Surface treatment contacts	Nickel-plated
Power supply/connection possibility	Built-up plug
Number of poles mains connection	3
Type of mains connection	CEE 16 A
Handling	Portable
Degree of protection (IP)	IP44
Colour	Black
Height	191 mm
Width	125 mm
Depth	75 mm







<https://www.pcelectric.at/shop/en/?func=detail&artnr=94327000>

