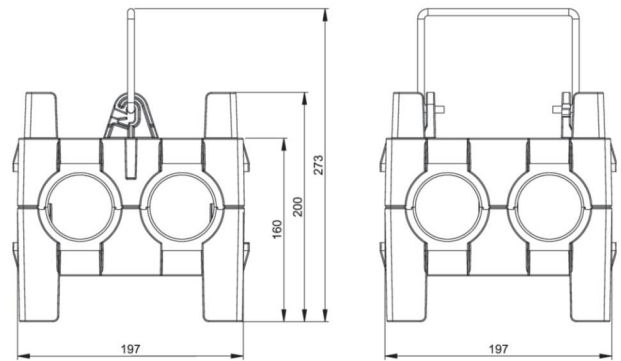


article#	9030308
article description	Distribution box plastic mobile Imst MV 32/5 16/5 3x16/3 SSDda 2m5G4 Ea S
description long	Mobile, Insulated thermoplastic distribution box - Series IMST IP44 black dimension: 197x197x200, window with 8modules, colour: black entry: 2m cable H07RN-F 5G4mm ² with plug 32A 5p 400V outlet: 1xCEE-socket 32A 5p 400V unprotected 1xCEE-socket 16A5p 400V protected over 1xMCB 16A 3p C 3xCEE-sockets 16A 3p 230V protected over 3xMCBs 16A 1p C 1xSK-socket 13A250V IP44 danish protected over 1xMCB 13A 1p C MCBs are made by Eaton ÖVE/VDE distribution box is ready wired for using
GTIN (EAN)	9003399228841
country of origin	AT
customs number	85371098
net weight	4.050 kg
packaging quantity	1
minimum order quantity	1



ETIM 9.0	EC000379
CEE socket outlet 16 A	1x16A5p400V
CEE socket outlet 32 A	1x32A5p400V
Number of socket outlets Danish standard (earthing pin)	1
Other fixtures and/or empty locations	3
Protection	Overcurrent switch
Earth leakage switch	None
Number of miniature circuit breakers	5
Material housing	Plastic
Contact material	CuZn
Surface treatment contacts	Nickel-plated
Power supply/connection possibility	Feeder cable with plug
Number of poles mains connection	5
Type of mains connection	CEE 32 A
Cable length	2 m
Handling	Portable
Degree of protection (IP)	IP44
Colour	Black
Height	200 mm
Width	197 mm
Depth	197 mm



<https://www.pcelectric.at/shop/en/?func=detail&artnr=9030308>