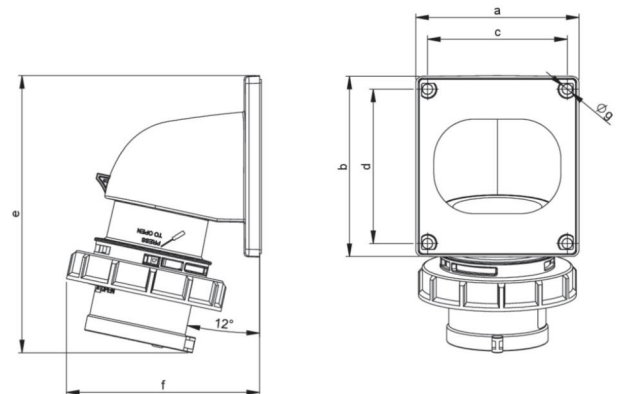


article#	777252-1v
article description	CEE-flanged plug angled 32A 5p 1h IP67
description long	CEE-flanged plug angled 32A 5p 1h IP67 housing material: PC/ABS rated current: 32A number of poles: 5 (3P+N+PE) clock-position: 1h rated voltage/frequency: >50V / others contacts: brass nickel plated connection technology: screw terminals IP protection class: IP67
GTIN (EAN)	9003399567919
country of origin	AT
customs number	85366990
net weight	0.291 kg
packaging quantity	5
minimum order quantity	5

ETIM 9.0	EC001319
IEC-amperage	32 A
Voltage according to EN 60309-2	Other
Number of poles	5
Clock hour position	1 h
Identification colour	Grey
Degree of protection (IP)	IP67
Connection system	Screwed terminal
Construction type	Built-up device plug
Angle of plug	Angled
Material	Plastic
Contact material	CuZn
Surface treatment contacts	Nickel-plated

a	90 mm
b	100 mm
c	77 mm
d	85 mm
e	164 mm
f	114 mm
g	5 mm
wire flexible	2,5-6 mm ²
wire solid	2,5-10 mm ²
contact screws	110 Ncm
dismantling length	50 mm
stripping length	12-14 mm
ambient temperature	-25 – 40 °C
temperature resistance	-25 – 80 °C



<https://www.pcelectric.at/shop/en/?func=detail&artnr=777252-1v>

