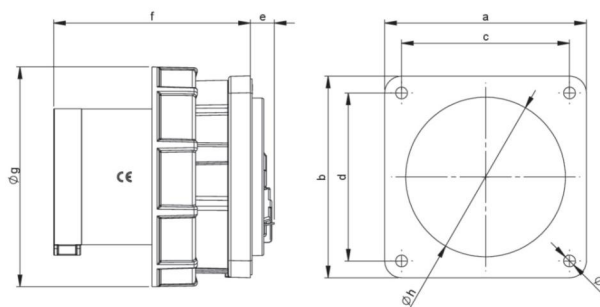


article#	645-1
article description	CEE-flanged plug straight 125A 5p 1h IP67 POWER TWIST
description long	CEE-flanged plug straight 125A 5p 1h IP67 POWER TWIST housing material: PA6 rated current: 125A number of poles: 5 (3P+N+PE) clock-position: 1h rated voltage/frequency: >50V / others contacts: brass nickel plated, with pilot pin connection technology: frame terminals with screws dimensions (flange/fixing center): 120x120 mm / 100x100 mm IP protection class: IP66/IP67
GTIN (EAN)	9003399084300
country of origin	AT
customs number	85366990
net weight	0.998 kg
packaging quantity	2
minimum order quantity	2

ETIM 9.0	EC001319
IEC-amperage	125 A
Voltage according to EN 60309-2	Other
Number of poles	5
Clock hour position	1 h
Identification colour	Grey
Degree of protection (IP)	IP67
Connection system	Screwed terminal
Construction type	Built-up device plug
Angle of plug	Straight
Material	Plastic
Contact material	CuZn
Surface treatment contacts	Nickel-plated

a	120 mm
b	120 mm
c	100 mm
d	100 mm
e	13 mm
f	118 mm
g	131 mm
h	95 mm
i	7 mm
wire flexible	16-50 mm ²
wire solid	16-70 mm ²
contact screws	450 Ncm
connecting screws	200 Ncm
dismantling length	100 mm
stripping length	24-27 mm
ambient temperature	-25 – 40 °C
temperature resistance	-25 – 80 °C







<https://www.pcelectric.at/shop/en/?func=detail&artnr=645-1>

