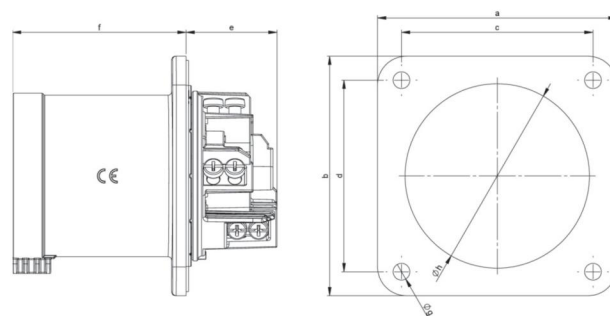


article#	<b>6341-1k</b>
article description	<b>CEE-flanged plug straight 63A 4p 1h IP44 POWER TWIST</b>
description long	CEE-flanged plug straight 63A 4p 1h IP44 POWER TWIST housing material: PA6 rated current: 63A number of poles: 4 (3P+PE) clock-position: 1h rated voltage/frequency: >50V / others contacts: brass nickel plated, with pilot pin connection technology: frame terminals with screws dimensions (flange/fixing center): 100x100 mm / 80x80 mm IP protection class: IP44
country of origin	AT
customs number	85366990
packaging quantity	2
minimum order quantity	2

ETIM 9.0	EC001319
IEC-amperage	63 A
Voltage according to EN 60309-2	Other
Number of poles	4
Clock hour position	1 h
Identification colour	Grey
Degree of protection (IP)	IP44
Connection system	Screwed terminal
Construction type	Built-up device plug
Angle of plug	Straight
Material	Plastic
Contact material	CuZn
Surface treatment contacts	Nickel-plated

a	100 mm
b	100 mm
c	80 mm
d	80 mm
e	39 mm
f	73 mm
g	7 mm
h	77 mm
wire flexible	6-16 mm <sup>2</sup>
wire solid	6-25 mm <sup>2</sup>
contact screws	200 Ncm
dismantling length	100 mm
stripping length	15-18 mm
ambient temperature	-25 – 40 °C
temperature resistance	-25 – 80 °C







<https://www.pcelectric.at/shop/en/?func=detail&artnr=6341-1k>