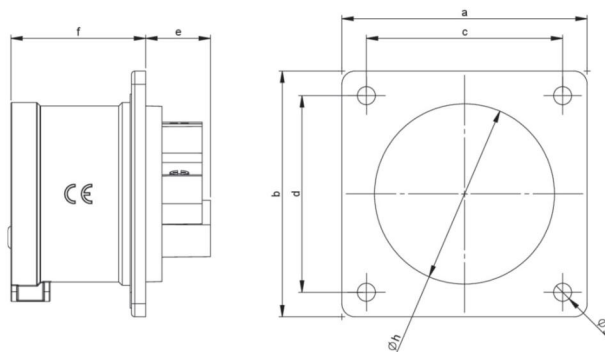


article#	<b>625-1f7</b>
article description	<b>CEE-flanged plug 75x75 straight 32A 5p 1h IP44</b>
description long	CEE-flanged plug 75x75 straight 32A 5p 1h IP44 housing material: PA6 rated current: 32A number of poles: 5 (3P+N+PE) clock-position: 1h rated voltage/frequency: >50V / others contacts: brass connection technology: screw terminals dimensions (flange/fixing center): 75x75 mm / 60x60 mm IP protection class: IP44
GTIN (EAN)	9003399281815
country of origin	AT
customs number	85366990
net weight	0.170 kg
packaging quantity	10
minimum order quantity	10

ETIM 9.0	EC001319
IEC-ampereage	32 A
Voltage according to EN 60309-2	Other
Number of poles	5
Clock hour position	1 h
Identification colour	Grey
Degree of protection (IP)	IP44
Connection system	Screwed terminal
Construction type	Built-up device plug
Angle of plug	Straight
Material	Plastic
Contact material	CuZn
Surface treatment contacts	Untreated

a	75 mm
b	75 mm
c	60 mm
d	60 mm
e	21 mm
f	51 mm
g	5,5 mm
h	55 mm
wire flexible	2,5-6 mm <sup>2</sup>
wire solid	2,5-10 mm <sup>2</sup>
contact screws	110 Ncm
dismantling length	50 mm
stripping length	12-14 mm
ambient temperature	-25 – 40 °C
temperature resistance	-25 – 80 °C



<https://www.pcelectric.at/shop/en/?func=detail&artnr=625-1f7>

