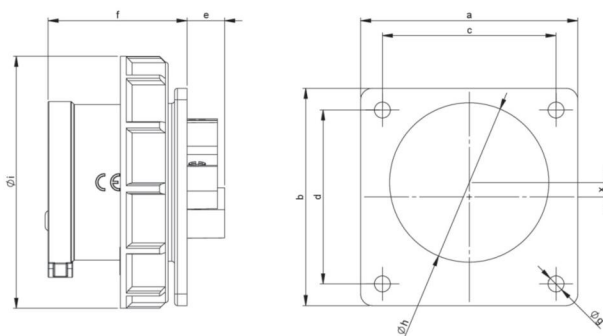


article#	6152-1
article description	CEE-flanged plug 75x75 straight 16A 5p 1h IP67
description long	CEE-flanged plug 75x75 straight 16A 5p 1h IP67 housing material: PA6 rated current: 16A number of poles: 5 (3P+N+PE) clock-position: 1h rated voltage/frequency: >50V / others contacts: brass connection technology: screw terminals dimensions (flange/fixing center): 75x75 mm / 60x60 mm IP protection class: IP66/IP67
GTIN (EAN)	9003399433948
country of origin	AT
customs number	85366990
net weight	0.150 kg
packaging quantity	10
minimum order quantity	10

ETIM 9.0	EC001319
IEC-amperage	16 A
Voltage according to EN 60309-2	Other
Number of poles	5
Clock hour position	1 h
Identification colour	Grey
Degree of protection (IP)	IP67
Connection system	Screwed terminal
Construction type	Built-up device plug
Angle of plug	Straight
Material	Plastic
Contact material	CuZn
Surface treatment contacts	Untreated

a	75 mm
b	75 mm
c	60 mm
d	60 mm
e	13 mm
f	48 mm
g	5,5 mm
h	55 mm
i	87 mm
x	5 mm
wire flexible	1-2,5 mm ²
wire solid	1-4 mm ²
contact screws	100 Ncm
dismantling length	50 mm
stripping length	10-12 mm
ambient temperature	-25 – 40 °C
temperature resistance	-25 – 80 °C



<https://www.pcelectric.at/shop/en/?func=detail&artnr=6152-1>

