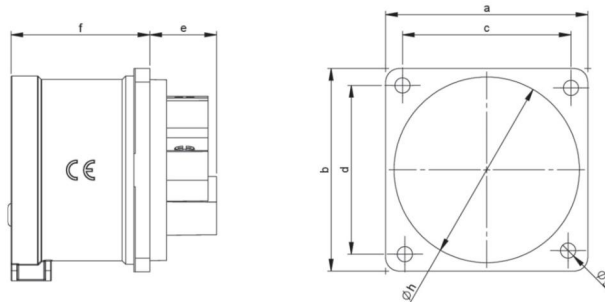


| | |
|------------------------|---|
| article# | 614-1f6 |
| article description | CEE-flanged plug 60x60 straight 16A 4p 1h IP44 |
| description long | CEE-flanged plug 60x60 straight 16A 4p 1h IP44 housing material: PA6 rated current: 16A number of poles: 4 (3P+PE) clock-position: 1h rated voltage/frequency: >50V / others contacts: brass connection technology: screw terminals dimensions (flange/fixing center): 60x60 mm / 50x50 mm IP protection class: IP44 |
| country of origin | AT |
| customs number | 85366990 |
| packaging quantity | 10 |
| minimum order quantity | 10 |

| | |
|---------------------------------|----------------------|
| ETIM 9.0 | EC001319 |
| IEC-amperage | 16 A |
| Voltage according to EN 60309-2 | Other |
| Number of poles | 4 |
| Clock hour position | 1 h |
| Identification colour | Grey |
| Degree of protection (IP) | IP44 |
| Connection system | Screwed terminal |
| Construction type | Built-up device plug |
| Angle of plug | Straight |
| Material | Plastic |
| Contact material | CuZn |
| Surface treatment contacts | Untreated |

| | |
|------------------------|-----------------------|
| a | 60 mm |
| b | 60 mm |
| c | 50 mm |
| d | 50 mm |
| e | 21 mm |
| f | 42 mm |
| g | 4,5 mm |
| h | 43 mm |
| wire flexible | 1-2,5 mm ² |
| wire solid | 1-4 mm ² |
| contact screws | 100 Ncm |
| dismantling length | 50 mm |
| stripping length | 10-12 mm |
| ambient temperature | -25 – 40 °C |
| temperature resistance | -25 – 80 °C |







<https://www.pcelectric.at/shop/en/?func=detail&artnr=614-1f6>