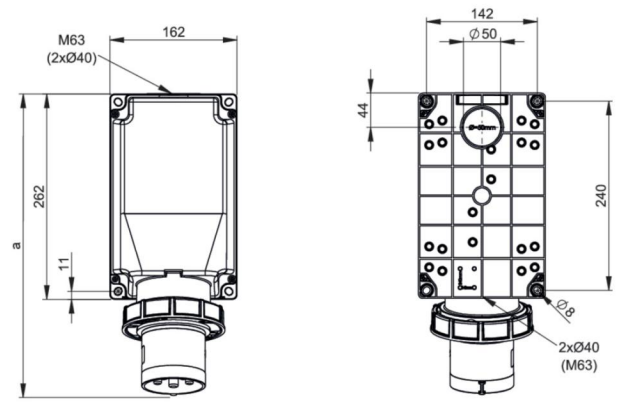


article#	<b>543-1</b>
article description	<b>CEE-wall mounted plug 125A 3p 1h IP67 POWER TWIST</b>
description long	CEE-wall mounted plug 125A 3p 1h IP67 POWER TWIST housing material: PC/ABS rated current: 125A number of poles: 3 (2P+PE) clock-position: 1h rated voltage/frequency: >50V / others contacts: brass nickel plated, with pilot pin connection technology: frame terminals with screws IP protection class: IP66/IP67
country of origin	AT
customs number	85366990
packaging quantity	1
minimum order quantity	1

ETIM 9.0	EC001319
IEC-amperage	125 A
Voltage according to EN 60309-2	Other
Number of poles	3
Clock hour position	1 h
Identification colour	Grey
Degree of protection (IP)	IP67
Connection system	Screwed terminal
Construction type	Surface mounted device plug
Angle of plug	Angled
Material	Plastic
Contact material	CuZn
Surface treatment contacts	Nickel-plated

a	387 mm
b	209 mm
wire flexible	16-50 mm <sup>2</sup>
wire solid	16-70 mm <sup>2</sup>
contact screws	450 Ncm
housing screws	200 Ncm
connecting screws	200 Ncm
dismantling length	100 mm
stripping length	24-27 mm
ambient temperature	-25 – 40 °C
temperature resistance	-25 – 80 °C



b = Höhe / height  
Neigung / angle = 15°



<https://www.pcelectric.at/shop/en/?func=detail&artnr=543-1>