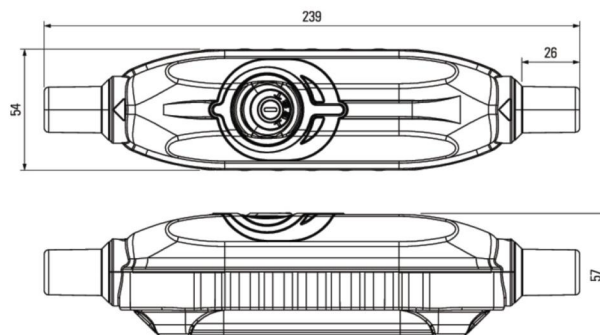


article#	4670015
article description	PRCD-S+ PCE 30mA1.5/1.5m 3G2.5H07 K68
description long	Safety extension cord with PRCD-S+ 16A 250V~; IΔN = 30mA Housing grey /black /red 3m cable H07RN-F 3G2,5mm ² Entry: 1,5m cable with safety plug IP68 (20051-b) Outlet: 1,5m cable with safety connector IP68 (20251-b) Protection degree: IP55 PRCD-S+ according DIN VDE 0661 DGUV Information 203-006 (former BGI/GUV-I 608) Ready wired, mounted and tested
GTIN (EAN)	9003399442759
country of origin	SI
customs number	85371098
net weight	1.004 kg
packaging quantity	1
minimum order quantity	1



ETIM 9.0	EC000003
Number of poles	3
Rated voltage	230 V
Rated current	16 A
Rated fault current	0.03 A
Mounting method	Adapter plug
Leakage current type	Other
Frequency	50 Hz
Degree of protection (IP)	IP68

