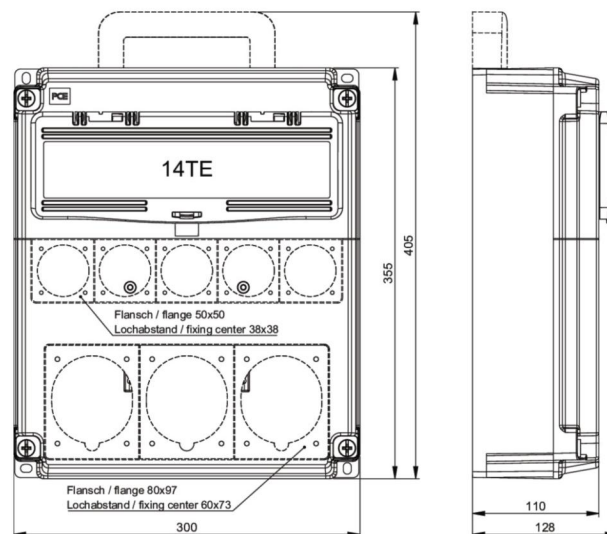


article#	45460101
article description	Distribution box plastic wall mounted series OPOLE IV 3x16/5 5xSSD M32
description long	Distribution box plastic wall mounted series OPOLE IP54 1xM32 cable gland top, grey 3xCEE-socket 16A5p 400V protected over 2xMCB 16A 3p C 5xSK-sockets 16A 250V protected over 4xMCB 16A 1p C 1xRCD 63A/4/0.03A (TYP A63AT) over all outlets MCB and RCD made by Eaton ÖVE / VDE distribution box is ready wired to use
GTIN (EAN)	9003399537981
country of origin	PL
customs number	85371098
net weight	4.600 kg
minimum order quantity	1

ETIM 9.0	EC000379
CEE socket outlet 16 A	3x16A5p400V
Number of socket outlets with protective contact CEE 7/3 (type F)	5
Protection	Overcurrent switch
Leakage current type	A
Earth leakage switch	Earth leakage switch with IFN 30 mA (standard)
Number of miniature circuit breakers	6
Material housing	Plastic
Power supply/connection possibility	1 cable (branch line)
Number of poles mains connection	5
Diameter cable entry	M32
Handling	Wall mounting
Degree of protection (IP)	IP54
Colour	Grey
Height	355 mm
Width	300 mm
Depth	128 mm



CE

