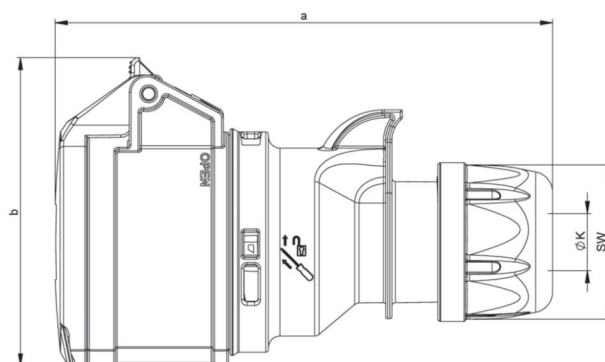


article#	225-7
article description	CEE-connector 32A 5p 7h IP44 SHARK
description long	CEE-connector 32A 5p 7h IP44/IP54 SHARK housing material: PA6 rated current: 32A number of poles: 5 (3P+N+PE) clock-position: 7h rated voltage/frequency: 277/480V~ - 288/500V~/50+60Hz contacts: brass connection technology: screw terminals IP protection class: IP44/IP54
GTIN (EAN)	9003399134364
country of origin	AT
customs number	85366990
net weight	0.270 kg
packaging quantity	10
minimum order quantity	10

ETIM 9.0	EC001320
IEC-amperage	32 A
Number of poles	5
Voltage according to EN 60309-2	500 V (50+60 Hz) black
Clock hour position	7 h
Identification colour	Black
Degree of protection (IP)	IP44
Connection system	Screwed terminal
Angle of plug	Straight
Cable entry	Gland nut
Material	Plastic
Contact material	CuZn
Surface treatment contacts	Untreated

a	168 mm
b	99 mm
K (cable Ø)	11,5-22 mm
SW	50 mm
wire flexible	2,5-6 mm ²
contact screws	110 Ncm
strain relief	600 Ncm
dismantling length	50 mm
stripping length	12-14 mm
ambient temperature	-25 – 40 °C
temperature resistance	-25 – 80 °C







<https://www.pcelectric.at/shop/en/?func=detail&artnr=225-7>