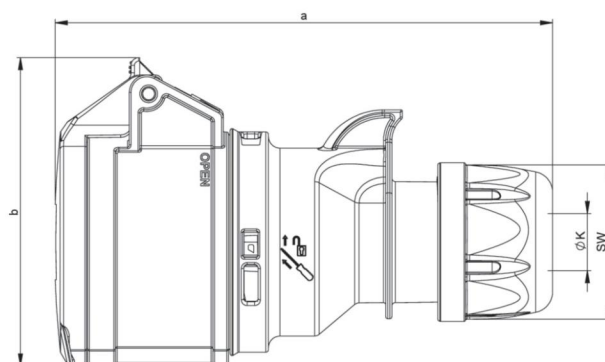


|                        |   |
|------------------------|---|
| article#               | <b>225-6ttv</b>   |
| article description    | <b>CEE-connector 32A 5p 6h IP44 SHARK TT</b>  |
| description long       | CEE-connector 32A 5p 6h IP44/IP54 SHARK TT<br>housing material: PA6<br>rated current: 32A<br>number of poles: 5 (3P+N+PE)<br>clock-position: 6h<br>rated voltage/frequency: 200/346V~ - 240/415V~/50+60Hz<br>contacts: brass nickel plated<br>connection technology: screwless terminals (TT)<br>IP protection class: IP44/IP54 |
| GTIN (EAN)             | 9003399231094   |
| country of origin      | AT  |
| customs number         | 85366990  |
| net weight             | 0.271 kg  |
| packaging quantity     | 10  |
| minimum order quantity | 10  |

|                                 |                      |
|---------------------------------|----------------------|
| ETIM 9.0                        | EC001320             |
| IEC-amperage                    | 32 A                 |
| Number of poles                 | 5                    |
| Voltage according to EN 60309-2 | 400 V (50+60 Hz) red |
| Clock hour position             | 6 h                  |
| Identification colour           | Red                  |
| Degree of protection (IP)       | IP44                 |
| Connection system               | Screw less terminal  |
| Angle of plug                   | Straight             |
| Cable entry                     | Gland nut            |
| Material                        | Plastic              |
| Contact material                | CuZn                 |
| Surface treatment contacts      | Nickel-plated        |

|                        |                       |
|------------------------|-----------------------|
| a                      | 168 mm                |
| b                      | 99 mm                 |
| K (cable Ø)            | 11,5-22 mm            |
| SW                     | 50 mm                 |
| wire flexible          | 2,5-6 mm <sup>2</sup> |
| strain relief          | 600 Ncm               |
| dismantling length     | 50 mm                 |
| stripping length       | 12-14 mm              |
| ambient temperature    | -25 – 40 °C           |
| temperature resistance | -25 – 80 °C           |







<https://www.pcelectric.at/shop/en/?func=detail&artnr=225-6ttv>