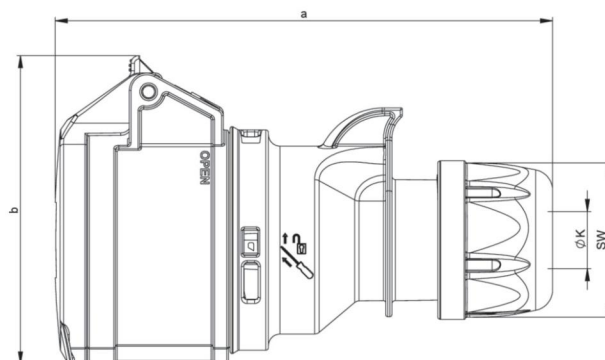


article#	<b>225-10</b>
article description	<b>CEE-connector 32A 5p 10h IP44 SHARK</b>
description long	CEE-connector 32A 5p 10h IP44/IP54 SHARK housing material: PA6 rated current: 32A number of poles: 5 (3P+N+PE) clock-position: 10h rated voltage/frequency: >50V~ / 100-300Hz contacts: brass connection technology: screw terminals IP protection class: IP44/IP54
GTIN (EAN)	9003399163401
country of origin	AT
customs number	85366990
net weight	0.270 kg
packaging quantity	10
minimum order quantity	10

ETIM 9.0	EC001320
IEC-amperage	32 A
Number of poles	5
Voltage according to EN 60309-2	50-500 V (100-300 Hz) green
Clock hour position	10 h
Identification colour	Green
Degree of protection (IP)	IP44
Connection system	Screwed terminal
Angle of plug	Straight
Cable entry	Gland nut
Material	Plastic
Contact material	CuZn
Surface treatment contacts	Untreated

a	168 mm
b	99 mm
K (cable Ø)	11,5-22 mm
SW	50 mm
wire flexible	2,5-6 mm <sup>2</sup>
contact screws	110 Ncm
strain relief	600 Ncm
dismantling length	50 mm
stripping length	12-14 mm
ambient temperature	-25 – 40 °C
temperature resistance	-25 – 80 °C



<https://www.pcelectric.at/shop/en/?func=detail&artnr=225-10>