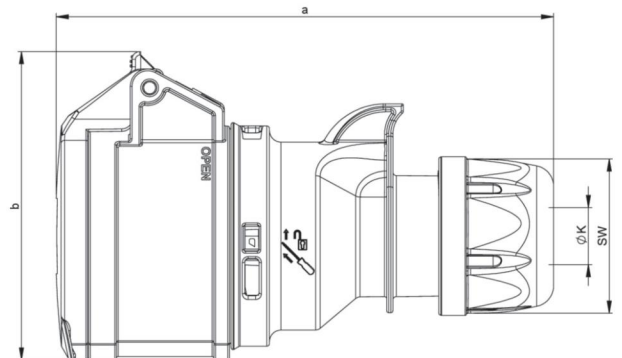


| | |
|------------------------|--|
| article# | 2249-12 |
| article description | CEE-connector 30A 3P4W 12h IP44 UL |
| description long | CEE-connector 30A 3P4W 12h IP44 UL (PCE430C12S) housing material: PA6 rated current: 30A number of poles: 3P4W (4p) clock position: 12h rated voltage: 120/250Vac single phase contacts: brass connection technology: screw terminals IP protection class: IP44 according to UL1682 UL-product category: QLHN / QLHN7 UL-file number: E232901 |
| GTIN (EAN) | 9003399568138 |
| country of origin | AT |
| customs number | 85366990 |
| net weight | 0.244 kg |
| packaging quantity | 10 |
| minimum order quantity | 10 |

| | |
|---|------------------|
| ETIM 9.0 | EC001320 |
| Amperage according to UL/CSA (for UL-version) | 30 A |
| Number of poles | 4 |
| Clock hour position | 12 h |
| Degree of protection (IP) | IP44 |
| Connection system | Screwed terminal |
| Angle of plug | Straight |
| Cable entry | Gland nut |
| Material | Plastic |
| Contact material | CuZn |
| Surface treatment contacts | Untreated |

| | |
|------------------------|----------------|
| a | 6.34 inch |
| b | 3.70 inch |
| K (cable Ø) | 0.52-0.76 inch |
| SW | 1.97 inch |
| wire flexible | 14-10 AWG |
| contact screws | 9.74 lbf-in |
| strain relief | 62.0 lbf-in |
| dismantling length | 1.97 inch |
| stripping length | 0.47-0.55 inch |
| temperature resistance | -13 – 176 °F |



<https://www.pcelectric.at/shop/en/?func=detail&artnr=2249-12>