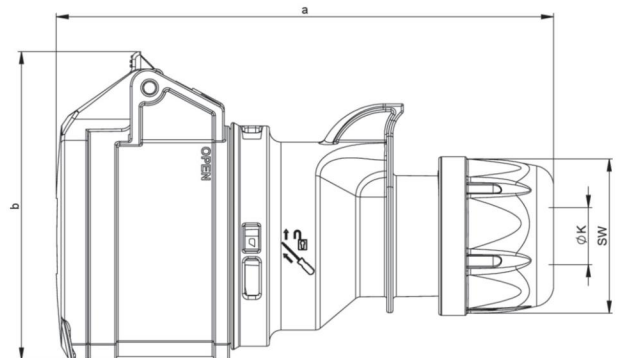


article#	223-6ttv
article description	CEE-connector 32A 3p 6h IP44 SHARK TT
description long	CEE-connector 32A 3p 6h IP44/IP54 SHARK TT housing material: PA6 rated current: 32A number of poles: 3 (2P+PE) clock-position: 6h rated voltage/frequency: 200-250V~ / 50+60Hz contacts: brass nickel plated connection technology: screwless terminals (TT) IP protection class: IP44/IP54
GTIN (EAN)	9003399644337
country of origin	AT
customs number	85366990
net weight	0.228 kg
packaging quantity	10
minimum order quantity	10

ETIM 9.0	EC001320
IEC-amperage	32 A
Number of poles	3
Voltage according to EN 60309-2	230 V (50+60 Hz) blue
Clock hour position	6 h
Identification colour	Blue
Degree of protection (IP)	IP44
Connection system	Screw less terminal
Angle of plug	Straight
Cable entry	Gland nut
Material	Plastic
Contact material	CuZn
Surface treatment contacts	Nickel-plated

a	161 mm
b	94 mm
K (cable Ø)	11,5-20 mm
SW	50 mm
wire flexible	2,5-6 mm ²
strain relief	600 Ncm
dismantling length	50 mm
stripping length	12-14 mm
ambient temperature	-25 – 40 °C
temperature resistance	-25 – 80 °C



<https://www.pcelectric.at/shop/en/?func=detail&artnr=223-6ttv>