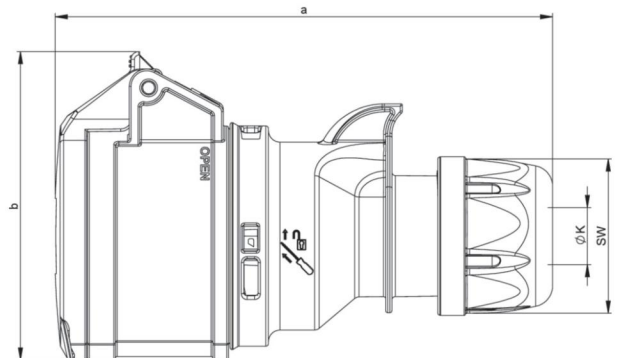


| | |
|------------------------|---|
| article# | 2159-7v |
| article description | CEE-connector 20A 4P5W 7h IP44 UL |
| description long | CEE-connector 20A 4P5W 7h IP44 UL (PCE520C7Sv) housing material: PA6 rated current: 20A number of poles: 4P5W (5p) clock position: 7h rated voltage: 277/480Vac contacts: brass nickel plated connection technology: screw terminals IP protection class: IP44 according to UL1682 UL-product category: QLHN / QLHN7 UL-file number: E232901 |
| country of origin | AT |
| customs number | 85366990 |
| packaging quantity | 10 |
| minimum order quantity | 10 |

| | |
|---|------------------|
| ETIM 9.0 | EC001320 |
| Amperage according to UL/CSA (for UL-version) | 20 A |
| Number of poles | 5 |
| Clock hour position | 7 h |
| Identification colour | Red |
| Degree of protection (IP) | IP44 |
| Connection system | Screwed terminal |
| Angle of plug | Straight |
| Cable entry | Gland nut |
| Material | Plastic |
| Contact material | CuZn |
| Surface treatment contacts | Nickel-plated |

| | |
|------------------------|----------------|
| a | 5.71 inch |
| b | 3.50 inch |
| K (cable Ø) | 0.35-0.63 inch |
| SW | 1.65 inch |
| wire flexible | 16-12 AWG |
| contact screws | 8.85 lbf-in |
| strain relief | 44.3 lbf-in |
| dismantling length | 1.97 inch |
| stripping length | 0.39-0.47 inch |
| temperature resistance | -13 – 176 °F |



<https://www.pcelectric.at/shop/en/?func=detail&artnr=2159-7v>