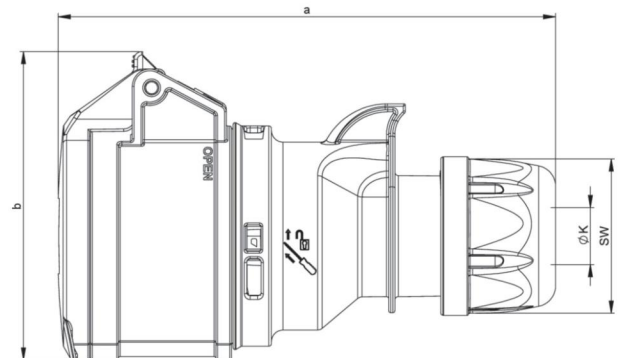


article#	<b>2159-6v</b>
article description	<b>CEE-connector 20A 4P5W 6h IP44 UL</b>
description long	CEE-connector 20A 4P5W 6h IP44 UL (PCE520C6Sv) housing material: PA6 rated current: 16A/20A number of poles: 4P5W (5p) clock position: 6h rated voltage: 200/346 - 240/415Vac contacts: brass nickel plated connection technology: screw terminals IP protection class: IP44 according to UL1682 und IEC/EN 60309-2 (SERIE II) UL-product category: QLHN / QLHN7 UL-file number: E232901
country of origin	AT
customs number	85366990
packaging quantity	10
minimum order quantity	10

ETIM 9.0	EC001320
IEC-amperage	16 A
Amperage according to UL/CSA (for UL-version)	20 A
Number of poles	5
Clock hour position	6 h
Identification colour	Red
Degree of protection (IP)	IP44
Connection system	Screwed terminal
Angle of plug	Straight
Cable entry	Gland nut
Material	Plastic
Contact material	CuZn
Surface treatment contacts	Nickel-plated

a	5.71 inch
b	3.50 inch
K (cable Ø)	0.35-0.63 inch
SW	1.65 inch
wire flexible	16-12 AWG
contact screws	8.85 lbf-in
strain relief	44.3 lbf-in
dismantling length	1.97 inch
stripping length	0.39-0.47 inch
temperature resistance	-13 – 176 °F



<https://www.pcelectric.at/shop/en/?func=detail&artnr=2159-6v>