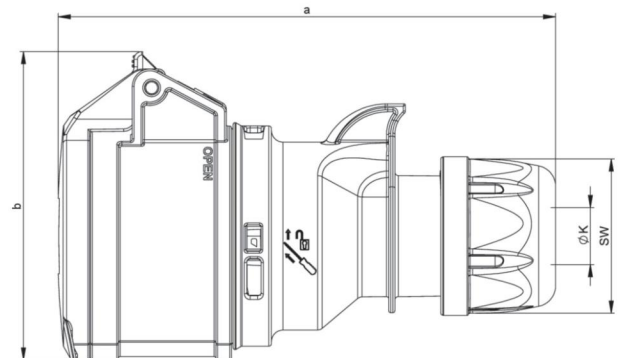
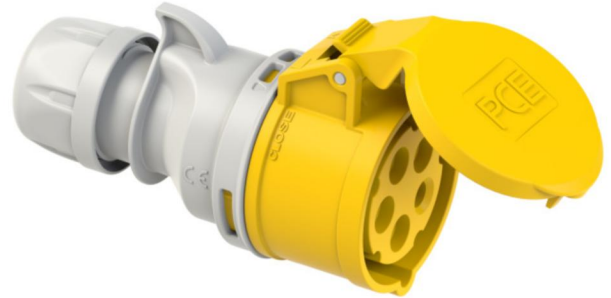


| | |
|------------------------|---|
| article# | 215-4 |
| article description | CEE-connector 16A 5p 4h IP44 SHARK |
| description long | CEE-connector 16A 5p 4h IP44/IP54 SHARK housing material: PA6 rated current: 16A number of poles: 5 (3P+N+PE) clock-position: 4h rated voltage/frequency: 57/100V~ - 75/130V~ / 50+60Hz contacts: brass connection technology: screw terminals IP protection class: IP44/IP54 |
| GTIN (EAN) | 9003399125263 |
| country of origin | AT |
| customs number | 85366990 |
| net weight | 0.182 kg |
| packaging quantity | 10 |
| minimum order quantity | 10 |

| | |
|---------------------------------|-------------------------|
| ETIM 9.0 | EC001320 |
| IEC-amperage | 16 A |
| Number of poles | 5 |
| Voltage according to EN 60309-2 | 110 V (50+60 Hz) yellow |
| Clock hour position | 4 h |
| Identification colour | Yellow |
| Degree of protection (IP) | IP44 |
| Connection system | Screwed terminal |
| Angle of plug | Straight |
| Cable entry | Gland nut |
| Material | Plastic |
| Contact material | CuZn |
| Surface treatment contacts | Untreated |

| | |
|------------------------|-----------------------|
| a | 145 mm |
| b | 89 mm |
| K (cable Ø) | 8-16 mm |
| SW | 42 mm |
| wire flexible | 1-2,5 mm ² |
| contact screws | 100 Ncm |
| strain relief | 500 Ncm |
| dismantling length | 50 mm |
| stripping length | 10-12 mm |
| ambient temperature | -25 – 40 °C |
| temperature resistance | -25 – 80 °C |



<https://www.pcelectric.at/shop/en/?func=detail&artnr=215-4>