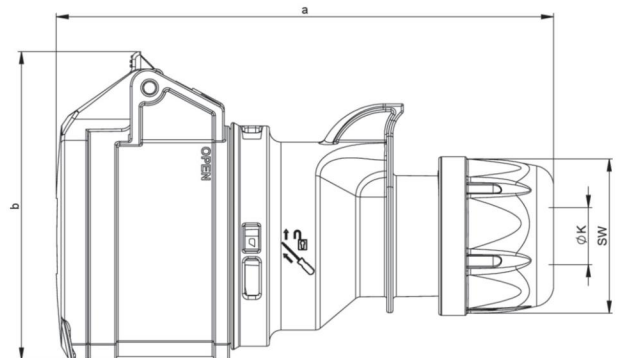


|                        |   |
|------------------------|---|
| article#               | <b>2149-6v</b>  |
| article description    | <b>CEE-connector 20A 3P4W 6h IP44 UL</b>  |
| description long       | CEE-connector 20A 3P4W 6h IP44 UL (PCE420C6Sv)<br>housing material: PA6<br>rated current: 16A/20A<br>number of poles: 3P4W (4p)<br>clock position: 6h<br>rated voltage: 380Vac<br>contacts: brass nickel plated<br>connection technology: screw terminals<br>IP protection class: IP44<br>according to UL1682 und IEC/EN 60309-2 (SERIE II)<br>UL-product category: QLHN / QLHN7<br>UL-file number: E232901 |
| country of origin      | AT  |
| customs number         | 85366990  |
| packaging quantity     | 10  |
| minimum order quantity | 10  |

|   |                  |
|---|------------------|
| ETIM 9.0                                      | EC001320         |
| IEC-amperage                                  | 16 A             |
| Amperage according to UL/CSA (for UL-version) | 20 A             |
| Number of poles                               | 4                |
| Clock hour position                           | 6 h              |
| Identification colour                         | Red              |
| Degree of protection (IP)                     | IP44             |
| Connection system                             | Screwed terminal |
| Angle of plug                                 | Straight         |
| Cable entry                                   | Gland nut        |
| Material                                      | Plastic          |
| Contact material                              | CuZn             |
| Surface treatment contacts                    | Nickel-plated    |

|                        |                |
|------------------------|----------------|
| a                      | 5.43 inch      |
| b                      | 3.23 inch      |
| K (cable Ø)            | 0.35-0.59 inch |
| SW                     | 1.65 inch      |
| wire flexible          | 16-12 AWG      |
| contact screws         | 8.85 lbf-in    |
| strain relief          | 44.3 lbf-in    |
| dismantling length     | 1.97 inch      |
| stripping length       | 0.39-0.47 inch |
| temperature resistance | -13 – 176 °F   |



<https://www.pcelectric.at/shop/en/?func=detail&artnr=2149-6v>