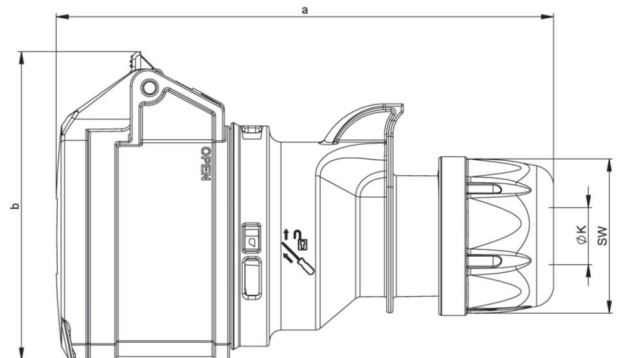


article#	2149-12
article description	CEE-connector 20A 3P4W 12h IP44 UL
description long	CEE-connector 20A 3P4W 12h IP44 UL (PCE420C12S) housing material: PA6 rated current: 20A number of poles: 3P4W (4p) clock position: 12h rated voltage: 120/250Vac single phase contacts: brass connection technology: screw terminals IP protection class: IP44 according to UL1682 UL-product category: QLHN / QLHN7 UL-file number: E232901
GTIN (EAN)	9003399116421
country of origin	AT
customs number	85366990
net weight	0.161 kg
packaging quantity	10
minimum order quantity	10

ETIM 9.0	EC001320
Amperage according to UL/CSA (for UL-version)	20 A
Number of poles	4
Clock hour position	12 h
Degree of protection (IP)	IP44
Connection system	Screwed terminal
Angle of plug	Straight
Cable entry	Gland nut
Material	Plastic
Contact material	CuZn
Surface treatment contacts	Untreated

a	5.43 inch
b	3.23 inch
K (cable Ø)	0.35-0.59 inch
SW	1.65 inch
wire flexible	16-12 AWG
contact screws	8.85 lbf-in
strain relief	44.3 lbf-in
dismantling length	1.97 inch
stripping length	0.39-0.47 inch
temperature resistance	-13 – 176 °F



<https://www.pcelectric.at/shop/en/?func=detail&artnr=2149-12>