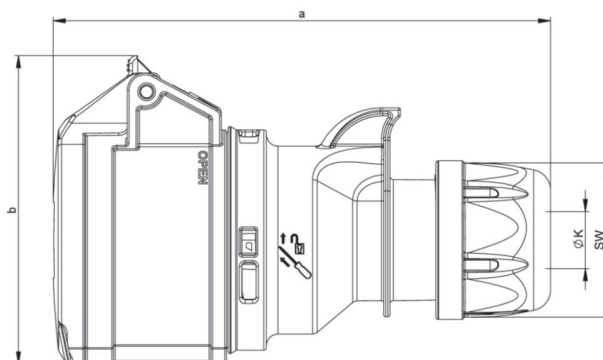


|                        |   |
|------------------------|---|
| article#               | <b>214-4v</b>   |
| article description    | <b>CEE-connector 16A 4p 4h IP44 SHARK</b>   |
| description long       | CEE-connector 16A 4p 4h IP44/IP54 SHARK<br>housing material: PA6<br>rated current: 16A<br>number of poles: 4 (3P+PE)<br>clock-position: 4h<br>rated voltage/frequency: 100-130V~ / 50+60Hz<br>contacts: brass nickel plated<br>connection technology: screw terminals<br>IP protection class: IP44/IP54 |
| GTIN (EAN)             | 9003399178986   |
| country of origin      | AT  |
| customs number         | 85366990  |
| net weight             | 0.161 kg  |
| packaging quantity     | 10  |
| minimum order quantity | 10  |

|                                 |                         |
|---------------------------------|-------------------------|
| ETIM 9.0                        | EC001320                |
| IEC-ampereage                   | 16 A                    |
| Number of poles                 | 4                       |
| Voltage according to EN 60309-2 | 110 V (50+60 Hz) yellow |
| Clock hour position             | 4 h                     |
| Identification colour           | Yellow                  |
| Degree of protection (IP)       | IP44                    |
| Connection system               | Screwed terminal        |
| Angle of plug                   | Straight                |
| Cable entry                     | Gland nut               |
| Material                        | Plastic                 |
| Contact material                | CuZn                    |
| Surface treatment contacts      | Nickel-plated           |

|                        |                       |
|------------------------|-----------------------|
| a                      | 138 mm                |
| b                      | 82 mm                 |
| K (cable Ø)            | 6-15 mm               |
| SW                     | 42 mm                 |
| wire flexible          | 1-2,5 mm <sup>2</sup> |
| contact screws         | 100 Ncm               |
| strain relief          | 500 Ncm               |
| dismantling length     | 50 mm                 |
| stripping length       | 10-12 mm              |
| ambient temperature    | -25 – 40 °C           |
| temperature resistance | -25 – 80 °C           |



<https://www.pcelectric.at/shop/en/?func=detail&artnr=214-4v>