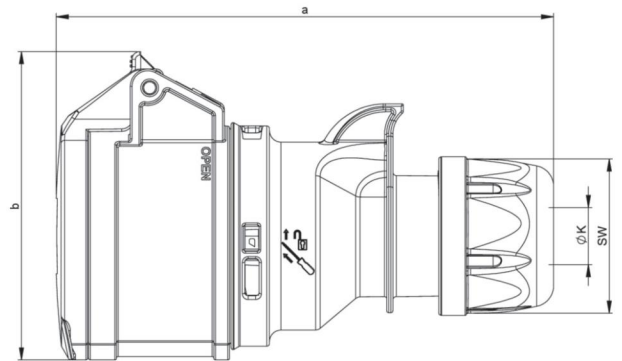


|                        |   |
|------------------------|---|
| article#               | <b>214-1</b>  |
| article description    | <b>CEE-connector 16A 4p 1h IP44 SHARK</b>   |
| description long       | CEE-connector 16A 4p 1h IP44 SHARK<br>housing material: PA6<br>rated current: 16A<br>number of poles: 4 (3P+PE)<br>clock-position: 1h<br>rated voltage/frequency: >50V / others<br>contacts: brass<br>connection technology: screw terminals<br>IP protection class: IP44 |
| GTIN (EAN)             | 9003399142178   |
| country of origin      | AT  |
| customs number         | 85366990  |
| net weight             | 0.161 kg  |
| packaging quantity     | 10  |
| minimum order quantity | 10  |

|                                 |                  |
|---------------------------------|------------------|
| ETIM 9.0                        | EC001320         |
| IEC-ampereage                   | 16 A             |
| Number of poles                 | 4                |
| Voltage according to EN 60309-2 | Other            |
| Clock hour position             | 1 h              |
| Identification colour           | Grey             |
| Degree of protection (IP)       | IP44             |
| Connection system               | Screwed terminal |
| Angle of plug                   | Straight         |
| Cable entry                     | Gland nut        |
| Material                        | Plastic          |
| Contact material                | CuZn             |
| Surface treatment contacts      | Untreated        |

|                        |                       |
|------------------------|-----------------------|
| a                      | 138 mm                |
| b                      | 82 mm                 |
| K (cable Ø)            | 6-15 mm               |
| SW                     | 42 mm                 |
| wire flexible          | 1-2,5 mm <sup>2</sup> |
| contact screws         | 100 Ncm               |
| strain relief          | 500 Ncm               |
| dismantling length     | 50 mm                 |
| stripping length       | 10-12 mm              |
| ambient temperature    | -25 – 40 °C           |
| temperature resistance | -25 – 80 °C           |



<https://www.pcelectric.at/shop/en/?func=detail&artnr=214-1>