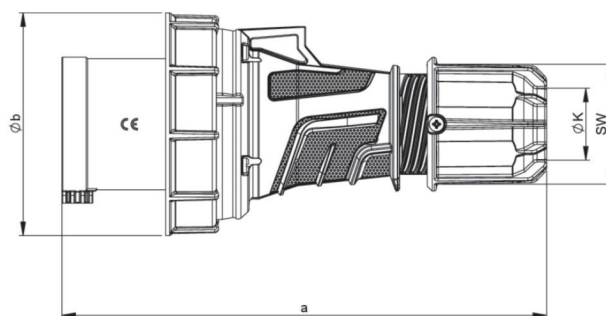


article#	<b>035-2</b>
article description	<b>CEE-plug 63A 5p 2h IP67 POWER TWIST</b>
description long	CEE-plug 63A 5p 2h IP67 POWER TWIST housing material: PA6 rated current: 63A number of poles: 5 (3P+N+PE) clock-position: 2h rated voltage/frequency: >50V~ / 300-500Hz contacts: brass nickel plated, with pilot pin connection technology: frame terminals with screws IP protection class: IP66/IP67
GTIN (EAN)	9003399046612
country of origin	AT
customs number	85366990
net weight	0.666 kg
packaging quantity	2
minimum order quantity	2

ETIM 9.0	EC000140
IEC-amperage	63 A
Number of poles	5
Voltage according to EN 60309-2	50-500 V (>300-500 Hz) green
Clock hour position	2 h
Identification colour	Green
RAL-number	7046
Degree of protection (IP)	IP67
Connection system	Screwed terminal
Cable entry	Gland nut
Angle of plug	Straight
Material	Plastic
Contact material	CuZn
Surface treatment contacts	Nickel-plated

a	250 mm
b	115 mm
K (cable Ø)	14,5-36 mm
SW	61 mm
wire flexible	6-16 mm <sup>2</sup>
contact screws	200 Ncm
connecting screws	200 Ncm
strain relief	1500 Ncm
dismantling length	100 mm
stripping length	15-18 mm
ambient temperature	-25 – 40 °C
temperature resistance	-25 – 80 °C



<https://www.pcelectric.at/shop/en/?func=detail&artnr=035-2>