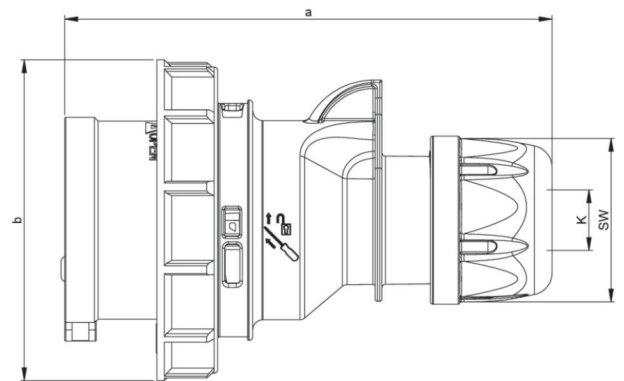


article#	02592-7h
article description	CEE-plug 30A 4P5W 7h IP67 UL
description long	CEE-plug 30A 4P5W 7h IP67 UL (PCE530P7W) housing material: PA6 rated current: 30A number of poles: 4P5W (5p) clock position: 7h rated voltage: 277/480Vac contacts: brass connection technology: screw terminals IP protection class: IP67 according to UL1682 UL-product category: QLHN / QLHN7 UL-file number: E232901
country of origin	AT
customs number	85366990
net weight	0.276 kg
packaging quantity	10
minimum order quantity	10

ETIM 9.0	EC000140
Amperage according to UL/CSA (for UL-version)	30 A
Number of poles	5
Clock hour position	7 h
Identification colour	Red
Degree of protection (IP)	IP67
Connection system	Screwed terminal
Cable entry	Gland nut
Angle of plug	Straight
Material	Plastic
Contact material	CuZn
Surface treatment contacts	Untreated

a	6.10 inch
b	3.94 inch
K (cable Ø)	0.65-0.87 inch
SW	1.97 inch
wire flexible	14-10 AWG
contact screws	9.74 lbf-in
strain relief	62.0 lbf-in
dismantling length	1.97 inch
stripping length	0.47-0.55 inch
temperature resistance	-13 – 176 °F



<https://www.pcelectric.at/shop/en/?func=detail&artnr=02592-7h>