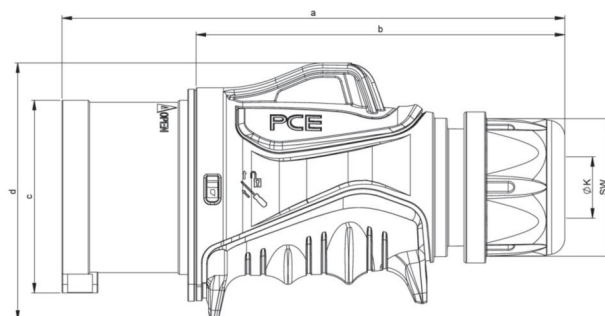


| | |
|------------------------|---|
| article# | 0253-6ttx |
| article description | CEE-Plug 32A 5P 6h IP54 black GRIP TT |
| description long | CEE-plug 32A 5p 6h IP54 TT GRIP black housing material: 2K (PA6/TPE) rated current: 32A number of poles: 5 (3P+N+PE) clock-position: 6h rated voltage/frequency: 200/346V~ - 240/415V~/50+60Hz contacts: brass connection technology: screwless terminals (TT) IP protection class: IP44/IP54 |
| GTIN (EAN) | 9003399428302 |
| country of origin | AT |
| customs number | 85366990 |
| net weight | 0.280 kg |
| packaging quantity | 10 |
| minimum order quantity | 10 |

| | |
|---------------------------------|----------------------|
| ETIM 9.0 | EC000140 |
| IEC-amperage | 32 A |
| Number of poles | 5 |
| Voltage according to EN 60309-2 | 400 V (50+60 Hz) red |
| Clock hour position | 6 h |
| Identification colour | Red |
| RAL-number | 9005 |
| Degree of protection (IP) | IP54 |
| Connection system | Screw less terminal |
| Cable entry | Gland nut |
| Angle of plug | Straight |
| Material | Plastic |
| Contact material | CuZn |
| Surface treatment contacts | Untreated |

| | |
|------------------------|-----------------------|
| a | 182 mm |
| b | 134 mm |
| c | 70 mm |
| d | 70 mm |
| K (cable Ø) | 11,5-22 mm |
| SW | 50 mm |
| wire flexible | 2,5-6 mm ² |
| contact screws | 110 Ncm |
| strain relief | 600 Ncm |
| dismantling length | 50 mm |
| stripping length | 12-14 mm |
| ambient temperature | -25 – 40 °C |
| temperature resistance | -25 – 80 °C |



<https://www.pcelectric.at/shop/en/?func=detail&artnr=0253-6ttx>

