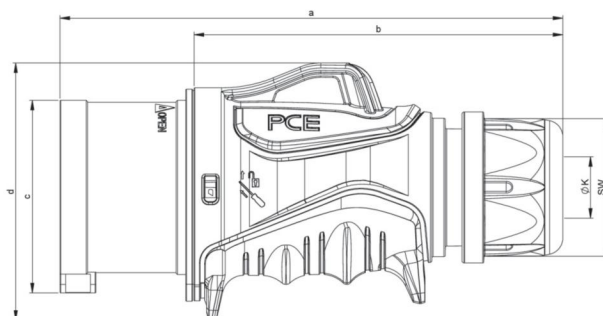


article#	<b>0253-4</b>
article description	<b>CEE-plug 32A 5p 4h IP44 GRIP</b>
description long	CEE-plug 32A 5p 4h IP54 GRIP housing material: 2K (PA6/TPE) rated current: 32A number of poles: 5 (3P+N+PE) clock-position: 4h rated voltage/frequency: 57/100V~ - 75/130V~ / 50+60Hz contacts: brass connection technology: screw terminals IP protection class: IP44/IP54
country of origin	AT
customs number	85366990
net weight	0.271 kg
packaging quantity	10
minimum order quantity	10

ETIM 9.0	EC000140
IEC-amperage	32 A
Number of poles	5
Voltage according to EN 60309-2	110 V (50+60 Hz) yellow
Clock hour position	4 h
Identification colour	Yellow
Degree of protection (IP)	IP54
Connection system	Screwed terminal
Cable entry	Gland nut
Angle of plug	Straight
Material	Plastic
Contact material	CuZn
Surface treatment contacts	Untreated

a	182 mm
b	134 mm
c	70 mm
d	70 mm
K (cable Ø)	11,5-22 mm
SW	50 mm
wire flexible	2,5-6 mm <sup>2</sup>
contact screws	110 Ncm
strain relief	600 Ncm
dismantling length	50 mm
stripping length	12-14 mm
ambient temperature	-25 – 40 °C
temperature resistance	-25 – 80 °C







<https://www.pcelectric.at/shop/en/?func=detail&artnr=0253-4>