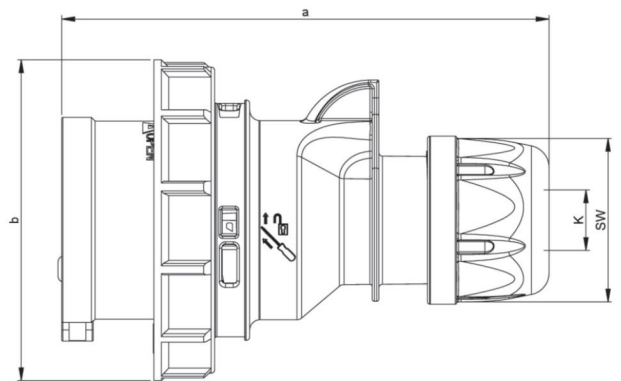


article#	<b>0242-7v</b>
article description	<b>CEE-plug 32A 4p 7h IP67 SHARK</b>
description long	CEE-plug 32A 4p 7h IP67 SHARK housing material: PA6 rated current: 32A number of poles: 4 (3P+PE) clock-position: 7h rated voltage/frequency: 480-500V~ / 50+60Hz contacts: brass nickel plated connection technology: screw terminals IP protection class: IP66/IP67
GTIN (EAN)	9003399166433
country of origin	AT
customs number	85366990
net weight	0.242 kg
packaging quantity	10
minimum order quantity	10

ETIM 9.0	EC000140
IEC-amperage	32 A
Number of poles	4
Voltage according to EN 60309-2	500 V (50+60 Hz) black
Clock hour position	7 h
Identification colour	Black
Degree of protection (IP)	IP67
Connection system	Screwed terminal
Cable entry	Gland nut
Angle of plug	Straight
Material	Plastic
Contact material	CuZn
Surface treatment contacts	Nickel-plated

a	150 mm
b	93 mm
K (cable Ø)	11,5-20 mm
SW	50 mm
wire flexible	2,5-6 mm <sup>2</sup>
contact screws	110 Ncm
strain relief	600 Ncm
dismantling length	50 mm
stripping length	12-14 mm
ambient temperature	-25 – 40 °C
temperature resistance	-25 – 80 °C



<https://www.pcelectric.at/shop/en/?func=detail&artnr=0242-7v>