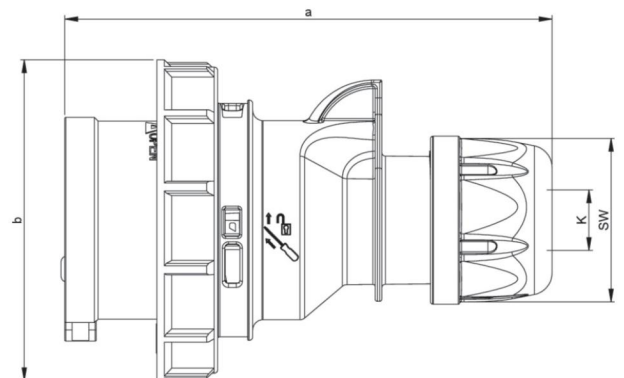


article#	0242-6x
article description	CEE-plug 32A 4P 6h IP67 SHARK black
description long	CEE-plug 32A 4p 6h IP67 SHARK black housing material: PA6 rated current: 32A number of poles: 4 (3P+PE) clock-position: 6h rated voltage/frequency: 380-415V~ / 50+60Hz contacts: brass connection technology: screw terminals IP protection class: IP66/IP67
GTIN (EAN)	9003399611353
country of origin	AT
customs number	85366990
net weight	0.242 kg
packaging quantity	10
minimum order quantity	10

ETIM 9.0	EC000140
IEC-amperage	32 A
Number of poles	4
Voltage according to EN 60309-2	400 V (50+60 Hz) red
Clock hour position	6 h
Identification colour	Red
RAL-number	9005
Degree of protection (IP)	IP67
Connection system	Screwed terminal
Cable entry	Gland nut
Angle of plug	Straight
Material	Plastic
Contact material	CuZn
Surface treatment contacts	Untreated

a	150
b	93
K (cable Ø)	11,5-20
SW	50
wire flexible	2,5-6
contact screws	110
strain relief	600
dismantling length	50
stripping length	12-14
ambient temperature	-25 – 40
temperature resistance	-25 – 80



<https://www.pcelectric.at/shop/en/?func=detail&artnr=0242-6x>