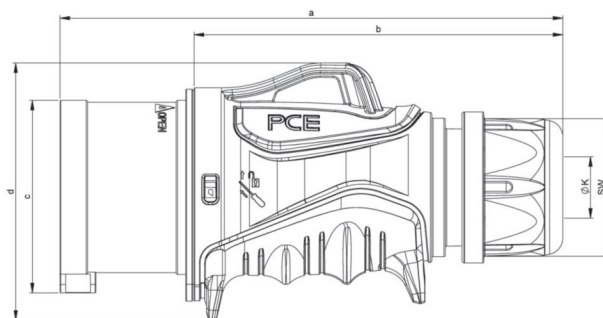


article#	0153-9ttv
article description	CEE-plug 16A 5p 9h IP44 TT GRIP
description long	CEE-plug 16A 5p 9h IP54 TT GRIP housing material: 2K (PA6/TPE) rated current: 16A number of poles: 5 (3P+N+PE) clock-position: 9h rated voltage/frequency: 120/208V~ - 144/250V~/50+60Hz contacts: brass nickel plated connection technology: screwless terminals (TT) IP protection class: IP44/IP54
country of origin	AT
customs number	85366990
net weight	0.183 kg
packaging quantity	10
minimum order quantity	10

ETIM 9.0	EC000140
IEC-amperage	16 A
Number of poles	5
Voltage according to EN 60309-2	200-250 V (50+60 Hz) blue
Clock hour position	9 h
Identification colour	Blue
Degree of protection (IP)	IP54
Connection system	Screw less terminal
Cable entry	Gland nut
Angle of plug	Straight
Material	Plastic
Contact material	CuZn
Surface treatment contacts	Nickel-plated

a	157 mm
b	117 mm
c	61 mm
d	79 mm
K (cable Ø)	8-16 mm
SW	42 mm
wire flexible	1-2,5 mm ²
strain relief	500 Ncm
dismantling length	50 mm
stripping length	10-12 mm
ambient temperature	-25 – 40 °C
temperature resistance	-25 – 80 °C



<https://www.pcelectric.at/shop/en/?func=detail&artnr=0153-9ttv>