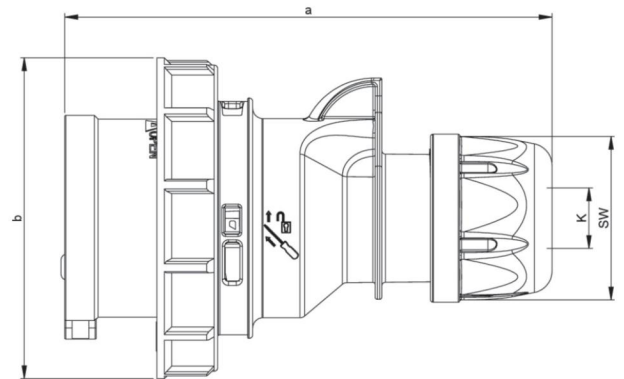


article#	<b>0152-4tt</b>
article description	<b>CEE-plug 16A 5p 4h IP67 TT SHARK</b>
description long	CEE-plug 16A 5p 4h IP67 TT SHARK housing material: PA6 rated current: 16A number of poles: 5 (3P+N+PE) clock-position: 4h rated voltage/frequency: 57/100V~ - 75/130V~ / 50+60Hz contacts: brass connection technology: screwless terminals (TT) IP protection class: IP66/IP67
GTIN (EAN)	9003399296697
country of origin	AT
customs number	85366990
net weight	0.188 kg
packaging quantity	10
minimum order quantity	10

ETIM 9.0	EC000140
IEC-amperage	16 A
Number of poles	5
Voltage according to EN 60309-2	110 V (50+60 Hz) yellow
Clock hour position	4 h
Identification colour	Yellow
Degree of protection (IP)	IP67
Connection system	Screw less terminal
Cable entry	Gland nut
Angle of plug	Straight
Material	Plastic
Contact material	CuZn
Surface treatment contacts	Untreated

a	134 mm
b	87 mm
K (cable Ø)	8-16 mm
SW	42 mm
wire flexible	1-2,5 mm <sup>2</sup>
strain relief	500 Ncm
dismantling length	50 mm
stripping length	10-12 mm
ambient temperature	-25 – 40 °C
temperature resistance	-25 – 80 °C



<https://www.pcelectric.at/shop/en/?func=detail&artnr=0152-4tt>