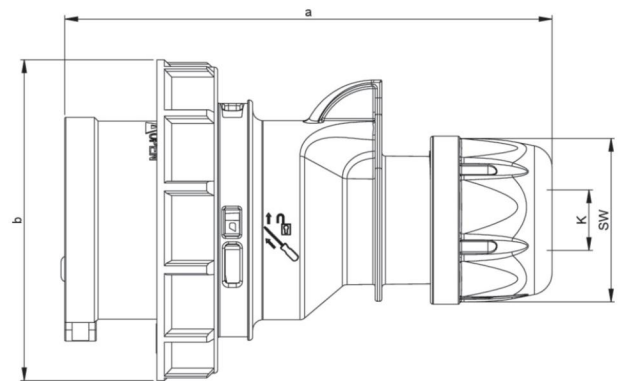


article#	01492-9v
article description	CEE-plug 20A 3P4W 9h IP67 UL
description long	CEE-plug 20A 3P4W 9h IP67 UL (PCE420P9Wv) housing material: PA6 rated current: 16A/20A number of poles: 3P4W (4p) clock position: 9h rated voltage: 250Vac contacts: brass nickel plated connection technology: screw terminals IP protection class: IP67 according to UL1682 und IEC/EN 60309-2 (SERIE II) UL-product category: QLHN / QLHN7 UL-file number: E232901
country of origin	AT
customs number	85366990
packaging quantity	10
minimum order quantity	10

ETIM 9.0	EC000140
IEC-amperage	16 A
Amperage according to UL/CSA (for UL-version)	20 A
Number of poles	4
Clock hour position	9 h
Identification colour	Blue
Degree of protection (IP)	IP67
Connection system	Screwed terminal
Cable entry	Gland nut
Angle of plug	Straight
Material	Plastic
Contact material	CuZn
Surface treatment contacts	Nickel-plated

a	5.04 inch
b	3.11 inch
K (cable Ø)	0.35-0.59 inch
SW	1.65 inch
wire flexible	16-12 AWG
contact screws	8.85 lbf-in
strain relief	44.3 lbf-in
dismantling length	1.97 inch
stripping length	0.39-0.47 inch
temperature resistance	-13 – 176 °F



<https://www.pcelectric.at/shop/en/?func=detail&artnr=01492-9v>