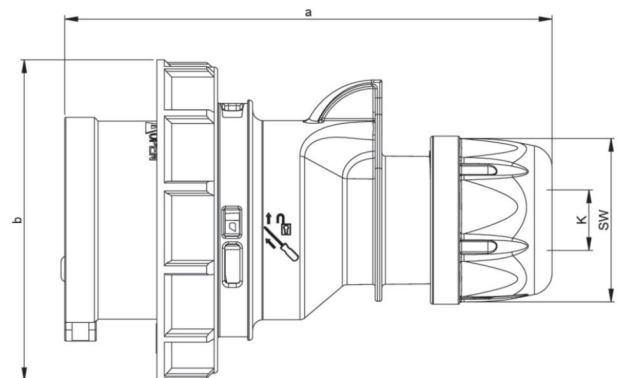


| | |
|------------------------|---|
| article# | 01392-6 |
| article description | CEE-plug 20A 2P3W 6h IP67 UL |
| description long | CEE-plug 20A 2P3W 6h IP67 UL (PCE320P6W) housing material: PA6 rated current: 16A/20A number of poles: 2P3W (3p) clock position: 6h rated voltage: 250Vac contacts: brass connection technology: screw terminals IP protection class: IP67 according to UL1682 und IEC/EN 60309-2 (SERIE II) UL-product category: QLHN / QLHN7 UL-file number: E232901 |
| GTIN (EAN) | 9003399187179 |
| country of origin | AT |
| customs number | 85366990 |
| net weight | 0.130 kg |
| packaging quantity | 10 |
| minimum order quantity | 10 |

| | |
|---|------------------|
| ETIM 9.0 | EC000140 |
| IEC-amperage | 16 A |
| Amperage according to UL/CSA (for UL-version) | 20 A |
| Number of poles | 3 |
| Clock hour position | 6 h |
| Identification colour | Blue |
| Degree of protection (IP) | IP67 |
| Connection system | Screwed terminal |
| Cable entry | Gland nut |
| Angle of plug | Straight |
| Material | Plastic |
| Contact material | CuZn |
| Surface treatment contacts | Untreated |

| | |
|------------------------|----------------|
| a | 4.80 inch |
| b | 2.80 inch |
| K (cable Ø) | 0.35-0.59 inch |
| SW | 1.65 inch |
| wire flexible | 16-12 AWG |
| contact screws | 8.85 lbf-in |
| strain relief | 44.3 lbf-in |
| dismantling length | 1.97 inch |
| stripping length | 0.39-0.47 inch |
| temperature resistance | -13 – 176 °F |



<https://www.pcelectric.at/shop/en/?func=detail&artnr=01392-6>

