

Dear Madam! Dear Sir!

We are glad to inform you about our new

Switched mechanical interlocked socket 125A

Description:

- Versions: 125A 3p, 4p and 5p
- suitable for in- and outdoor installations
- housing material: high shock-resistant PC/ABS
- external screws made of stainless steel
- robust design for wall mounting
- top cable entry (standard)
- generously sized connection area
- with proven lamellar spring system*
- ready wired, degree of protection IP67
- lockable by padlock (40mm)
- conform to EN 60309-4



Technical details:

- terminals max. 70/50mm²
- cable gland M50 (cable diameter 32-38mm)
- switch-disconnector ML3 (brand PCE-Merz)
 - service category AC22A, 690V (AC3, 690V, 3~, 45kW)
 - rated conditional short-circuit-current 10kA
 - mechanical life of 30.000 switching cycles

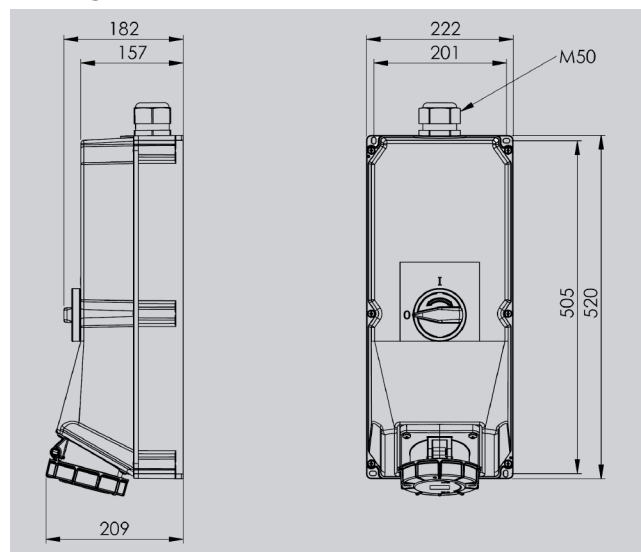
For more information please feel free to get in touch with our PCE sales team!

Best regards

Your PCE Team

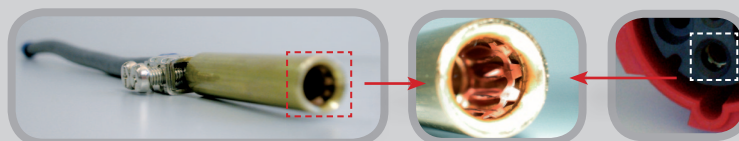
Special designs available on request!

drawing:



*Lamellar spring system:

- low insertion and extraction forces
- minimum contact resistance
- self-cleaning
- optimum contact - at least 10 contact points



PC Electric GesmbH

Diesseits 145, A-4973 St. Martin/Innkreis, Austria Tel: +43 7751 61 22-0 Fax: +43 7751 6969
office@pcelectric.at, www.pcelectric.at